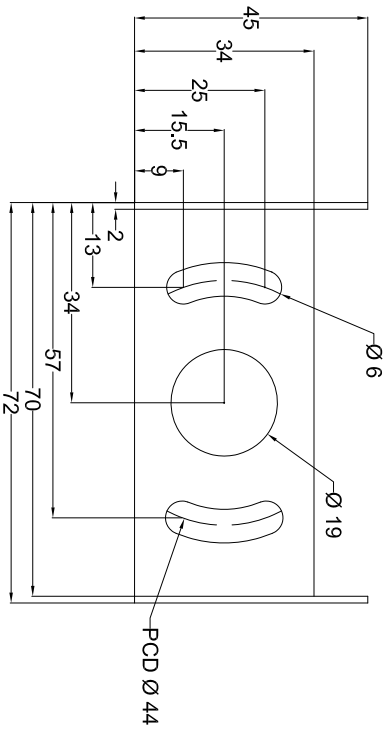
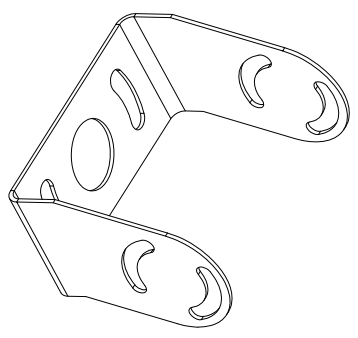
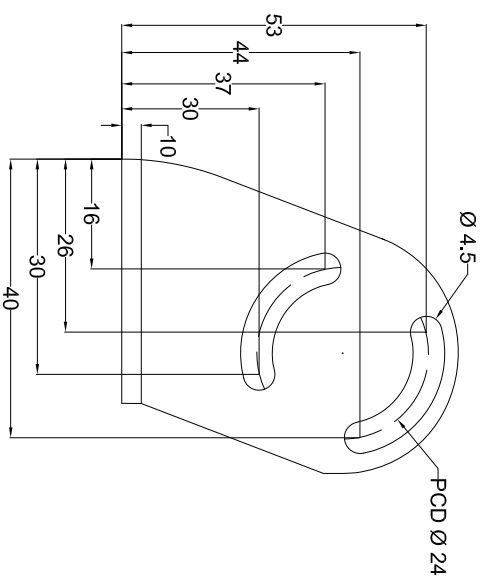
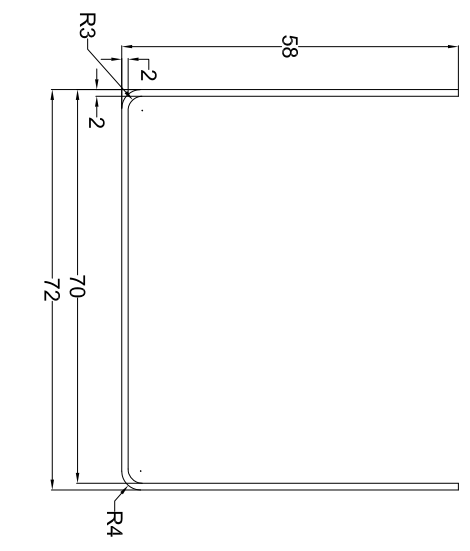


REV NO	REVISION NOTE	DATE	SIGNATURE	CHECKED
1	MODEL NUMBER CHANGED TO BE-990C	15/05/09	SM	SM



NOTES:
DIMENSIONS IN MM
MATERIAL: STAINLESS STEEL

PROPRIETARY NOTICE
 THIS DESIGN AND TECHNICAL INFORMATION APPEARING ON THIS DRAWING IS THE PROPERTY OF BRIGADE ELECTRONICS PLC, AND IS DISCLOSED IN CONFIDENCE. IT IS NOT TO BE COPIED, REPRODUCED, REVEALED TO OR APPROPRIATE BY OTHERS, EITHER IN WHOLE OR IN PART WITHOUT THE EXPRESS WRITTEN CONSENT OF BRIGADE ELECTRONICS PLC.

ITEM REF	QUANTITY	TITLE/NAME, DESIGNATION, MATERIAL, DIMENSION ETC	ARTICLE NO./REFERENCE
DESIGNED BY M.BUTLER	CHECKED BY DKERAL	APPROVED BY SMATTHEWS	DATE 26/03/09
BRIGADE ELECTRONICS PLC		BE-990C_ (#3137)_ BRACKET	SCALE N/A
		BE-000733-01-09	EDITION A
			SHEET 1/1